



EXTERNAL SWAGE

HEAVY DUTY - WELD BEVEL
STEEL - 304 SS

FEATURES & APPLICATIONS:

- Use with Industrial Ferrules
- When used with corresponding HDI Ferrules, provide a permanent end connection to rubber industrial hoses for use in the toughest applications.
- Hose applications: Tank Truck, Chemical, Mud Suction, OS&D, Oil Discharge, Frac-Tank, Water Discharge, Water Suction, Water Jetting, Hot Tar & Asphalt, Material Handling, Textile Air, Wire Air, Petroleum and Marine



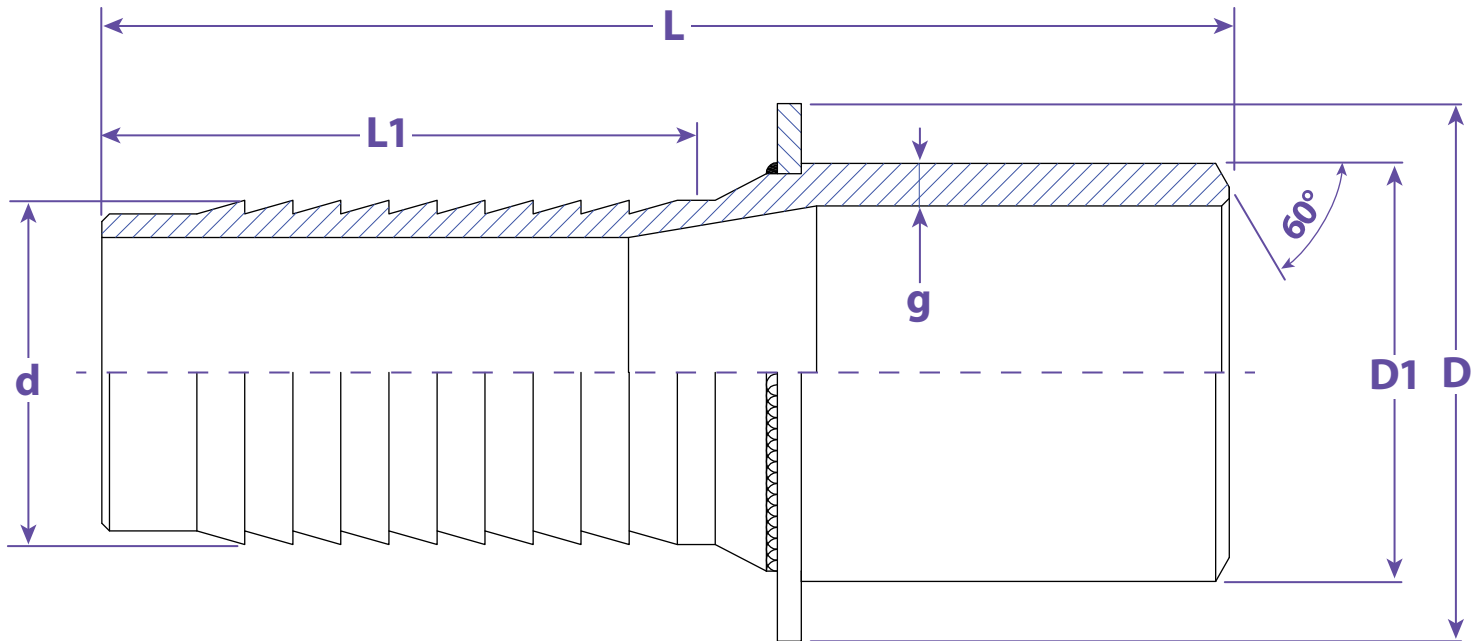
STEEL



304 SS

WELD BEVEL			
SIZE	WORKING PSI	STEEL #	304 SS #
2"	800	HD200WB	HD200WBSS
2-1/2"	800	HD250WB	---
3"	800	HD300WB	HD300WBSS
4"	500	HD400WB	HD400WBSS
5"	500	HD500WB	---
6"	500	HD600WB	---
8"	300	HD800WB	---

Information contained on this page is for general information purposes only. Seal Fast Inc. assumes no responsibility for errors or omissions for this product.



Dimensions						
D	D1	d	L	L1	g	Part #
2.6772	2.3740	2.0315	6.0551	2.8346	0.1535	HD200
3.1890	2.8740	2.5315	7.0079	3.3858	0.2047	HD250
3.6614	3.5000	3.0315	7.9409	4.2520	0.2165	HD300
4.8031	4.5000	4.0315	9.1339	4.7244	0.2362	HD400
6.1024	5.5630	5.0315	10.5118	5.9055	0.2598	HD500
7.1654	6.6260	6.0472	12.5315	5.9843	0.2795	HD600
9.4094	8.6260	8.0472	14.0551	7.5197	0.3228	HD800

TITLE EXTERNAL SWAGE - HOSE X MALE NPT STEEL	
<p>DISCLAIMER</p> <p>All drawings and specifications are subject to change without notice. Drawings represent general dimensions of our products. Seal Fast cannot guarantee the dimensions of the part will exactly match those in the drawing. This drawing is the property of Seal Fast Inc. Copying or reproduction of this drawing is expressly prohibited.</p>	<p>MATERIAL</p> <p>HD.... WB Carbon steel tube HD.... WBSS Stainless steel tube 304</p>
DRAWING NOT TO SCALE	PART # HD...WB, WBSS